

X-TRACTOR® MINI

FUMES DON'T STAND A CHANCE



K3972-5
X-Tractor® Mini

PORTABLE FUME EXTRACTION SYSTEM

The X-Tractor® Mini is a light weight, high vacuum portable fume extraction system designed to filter particulate and remove welding fumes. Intended for light duty welding applications, the quiet operation and portability of the X-Tractor Mini make this system an ideal solution for confined and hard to reach spaces.

- » Create a safer work environment for welders/shop employees
- » Effectively remove weld fume particulate with large surface area coverage and 99.7% filter unit efficiency
- » Light weight, durable construction and portable design
- » Compact size for use anywhere you go

Processes »

Stick (Light Duty), TIG, MIG, Flux-Cored (Light Duty)

Product Number »

K3972-3 (120V/60Hz)
K2497-18 (230V/50Hz)
K3972-5 (120V/60Hz) with EN-20 Nozzle

Input »



KEY FEATURES

- » **Current Sensor** – Automatic start/stop capability by sensing welding current
- » **Multiple Extraction Settings** – Select extraction CFM setting based on environmental conditions: 95 CFM (Low) or 108 CFM (High)
- » **Quiet Operation** – Operates at a sound level of <80dB(A)
- » **System Airflow Check** – Easily observe extraction performance

WHAT'S INCLUDED

Base Unit (K3972-3)

- » Extraction Hose with adapter - 8 ft. (2.4 mm) length with 1-3/4 in. (45 mm) I.D.
- » LongLife-H main filter
- » HEPA filter

Base Unit with EN-20 Nozzle (K3972-5)

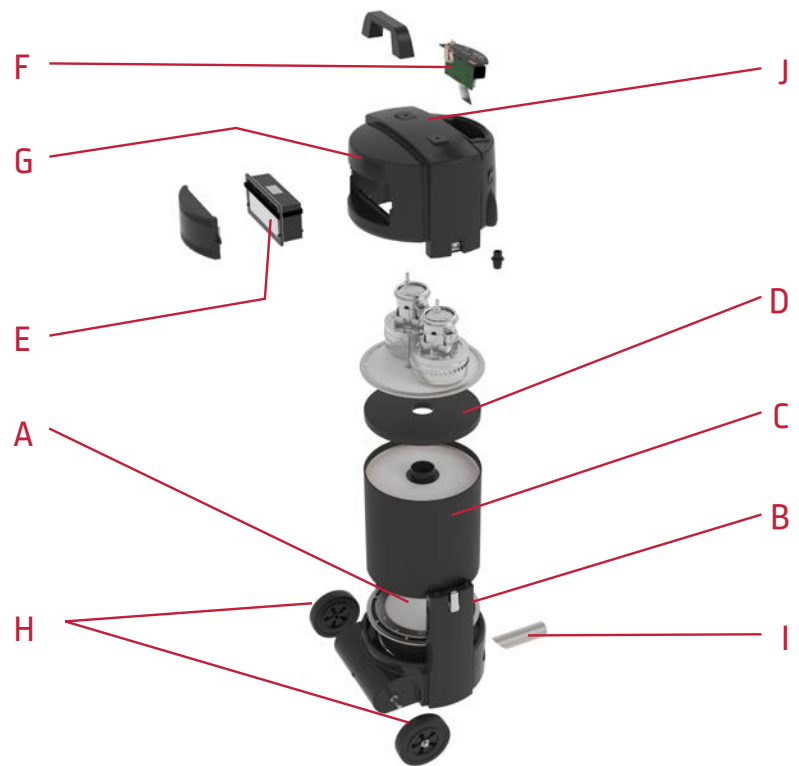
- » Extraction Hose with adapter - 8 ft. (2.4 mm) length with 1-3/4 in. (45 mm) I.D.
- » LongLife-H main filter
- » HEPA filter
- » EN-20 Extraction Nozzle

X-TRACTOR MINI FIVE-STAGE FILTRATION PROCESS

- A** Stage 1: Air passes through a removable and washable pre-filter (KP2390-3) where heavier particles and foreign material are captured in the collection tray.
- B** Stage 2: Air passes through a second pre-separator to further reduce medium to heavy particulate matter.
- C** Stage 3: Air passes through the LongLife-H filter (KP2390-1) where welding fume particles are captured and deposited.
- D** Stage 4 (optional): Activated carbon filter (KP2389-1) will help prevent or neutralize the release of odors back into the environment.
- E** Stage 5: Final filtration as air passes through the HEPA E12 Class Filter (KP2390-4).

X-Tractor Mini Filter One-Pak® (KP2390-5)

Package contains the LongLife Filter (KP2390-1) and HEPA Filter (KP2390-4)



- F** Automatic Start/Stop for less energy consumption and convenience
- G** Smart noise insulator
- H** Wheels are standard for easy portability
- I** Intake connection for extraction hose
- J** Current sensor cable tray/groove

RECOMMENDED ACCESSORIES

Easily adapt your portable weld fume extraction unit to many different welding applications.



EN 20 Extraction Nozzle
Order
K2389-5



Wall Mounting Bracket
Order
K2389-7



Extraction Hoses
Order
K2389-8 16 ft (5 m)
K2389-9 8 ft (2.5 m)



SHFA Flat Suction Nozzle
Order
K639-5



NKT Nozzle Kit for Standard Welding Torches
Order
K2389-3



Aluminum Suction 12 in (304.8 mm) Nozzle with Magnetic Mounting
Order
K639-1



Hose-to-Hose Adapter
Order K2389-10



UNM Suction Nozzle for Heavy Smoke
Order
K639-6



Hose Connection Outlet
Order K2389-2

Need Filter Replacements:

Visit www.weldfumefilters.com



PRODUCT SPECIFICATIONS

Product Name	Product Number	Sound Level	Airflow CFM	Power Rating HP	Filter Surface Area ft ² (m ²)	Input Power Voltage/Phase/Hertz	Input Current	Dimensions H x W x L in (mm)	Weight lbs (kg)
X-Tractor® Mini	K3972-3	<80 dBA	Low: 95 High: 108	2.4 (1.2/motor)	118 (11)	120/1/60	12.0A	29 x 15.6 x 16.8 (736 x 396 x 427)	40 (18.1)
	230/1/50					7.5A			
X-Tractor® Mini w/ EN-20 Nozzle	K3972-5					120/1/60	12.0A		

The operation of welding fume control equipment is affected by various factors including proper use and positioning of the equipment, maintenance of the equipment and the specific welding procedure and application involved. Worker exposure level should be checked upon installation and periodically thereafter to be certain it is within applicable OSHA PEL and ACGIH TLV limits.

CUSTOMER ASSISTANCE POLICY

The business of The Lincoln Electric Company® is manufacturing and selling high quality welding equipment, consumables, and cutting equipment. Our challenge is to meet the needs of our customers and to exceed their expectations. On occasion, purchasers may ask Lincoln Electric for information or advice about their use of our products. Our employees respond to inquiries to the best of their ability based on information provided to them by the customers and the knowledge they may have concerning the application. Our employees, however, are not in a position to verify the information provided or to evaluate the engineering requirements for the particular weldment. Accordingly, Lincoln Electric does not warrant or guarantee or assume any liability with respect to such information or advice. Moreover, the provision of such information or advice does not create, expand, or alter any warranty on our products. Any express or implied warranty that might arise from the information or advice, including any implied warranty of merchantability or any warranty of fitness for any customers' particular purpose is specifically disclaimed.

Lincoln Electric is a responsive manufacturer, but the selection and use of specific products sold by Lincoln Electric is solely within the control of, and remains the sole responsibility of the customer. Many variables beyond the control of Lincoln Electric affect the results obtained in applying these types of fabrication methods and service requirements.

Subject to Change – This information is accurate to the best of our knowledge at the time of printing. Please refer to www.lincolnelectric.com for any updated information.

The Lincoln Electric Company
22801 St. Clair Avenue · Cleveland, OH · 44117-1199 · U.S.A.

www.lincolnelectric.com